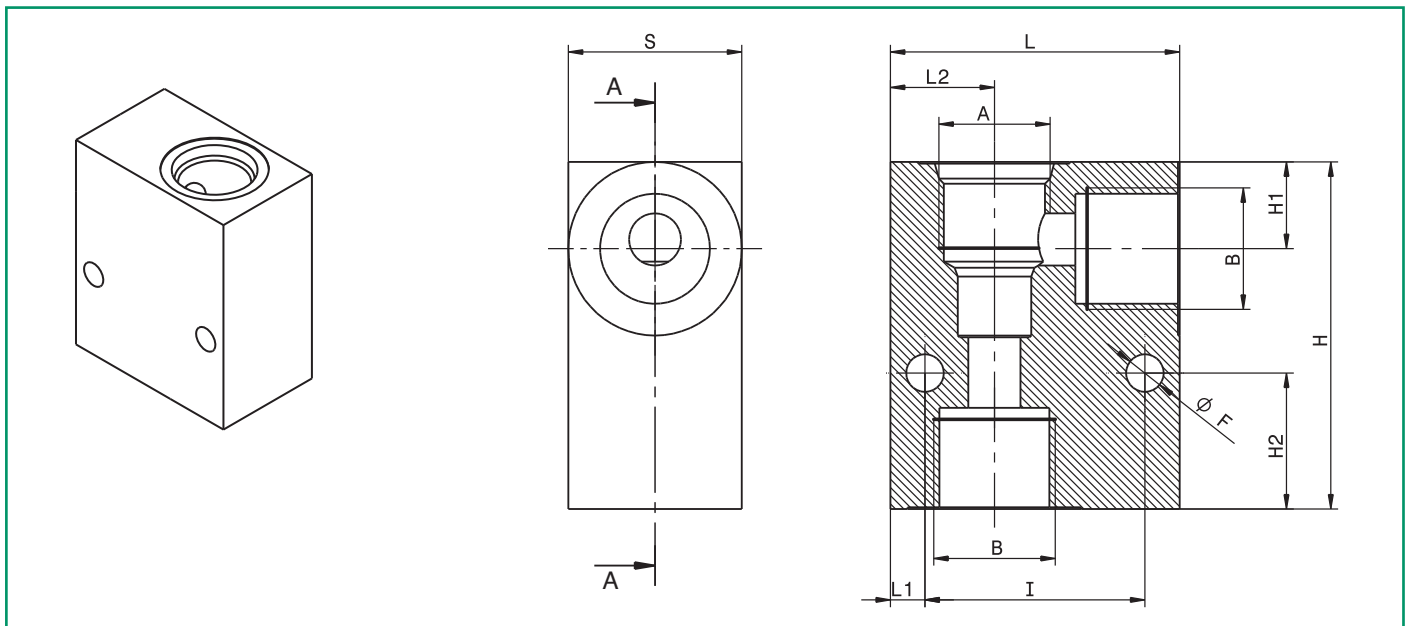


Collettori 2 vie standard
 Standard 2 ways valve housings



Cavità Cavity	Dimensioni (mm) Dimensions (mm)										Sigla di ordinazione Ordering code		
	A	B	L	H	S	F	I	L1	L2	H1	H2	Alluminio Aluminium	Acciaio Steel
CAV00003 cavità 08-2 3/4-16 UNF	G 1/4	50	50	30	6.5	38	6	20	12.5	23.5		B-08-2-14	B-08-2-14-A
	G 3/8	50	60	30	6.5	38	6	18	15	23.5		B-08-2-38	B-08-2-38-A
	G 1/2	50	60	30	6.5	38	6	19	15	23.5		B-08-2-12	B-08-2-12-A
	7/16-20 UNF	50	50	30	6.5	38	6	20	13	23.5		B-08-2-04S	B-08-2-04S-A
	9/16-18 UNF	50	60	30	6.5	38	6	20	15	23.5		B-08-2-06S	B-08-2-06S-A
	3/4-16 UNF	50	60	30	6.5	38	6	20	15	23.5		B-08-2-08S	B-08-2-08S-A
CAV00039 cavità 10-2 7/8-14 UNF	G 3/8	60	60	35	6.5	45	7.5	25	18	15		B-10-2-38	B-10-2-38-A
	G 1/2	60	60	35	6.5	45	7.5	25	18	15		B-10-2-12	B-10-2-12-A
	G 3/4	70	60	40	8.5	55	7.5	30	20	15		B-10-2-34	B-10-2-34-A
	9/16-18 UNF	60	60	35	6.5	45	7.5	25	18	15		B-10-2-06S	B-10-2-06S-A
	3/4-16 UNF	60	60	35	6.5	45	7.5	25	18	15		B-10-2-08S	B-10-2-08S-A
CAV00030 cavità 12-2 1"1/16-12 UN	G 1/2	70	80	40	8.5	55	7.5	30	25	15		B-12-2-12	B-12-2-12-A
	G 3/4	70	80	40	8.5	55	7.5	30	25	15		B-12-2-34	B-12-2-34-A
	7/8-14 UNF	70	80	40	8.5	55	7.5	30	25	15		B-12-2-10S	B-12-2-10S-A
	1"1/16-12 UN	70	80	40	8.5	55	7.5	30	25	15		B-12-2-12S	B-12-2-12S-A
CAV00032 cavità 16-2 1"5/16-12 UN	G 3/4	80	80	50	8.5	65	7.5	35	25	15		B-16-2-34	B-16-2-34-A
	G 1	80	80	50	8.5	65	7.5	35	25	15		B-16-2-10	B-16-2-10-A
	1"1/16-12 UN	80	80	50	8.5	65	7.5	35	25	15		B-16-2-12S	B-16-2-12S-A
	1"5/16-12 UN	80	80	50	8.5	65	7.5	35	25	15		B-16-2-16S-A	B-16-2-16S-A
CAV00043 cavità 20-2 1"5/8-12 UN	G 1	90	90	60	10.5	70	10	40	30	15		B-20-2-10	B-20-2-10-A
	G 1 1/4	90	90	60	10.5	70	10	40	30	15		B-20-2-114	B-20-2-114-A
	1"5/16-12 UN	90	90	60	10.5	70	10	40	30	15		B-20-2-16S	B-20-2-16S-A
	1"5/8-12 UN	90	90	60	10.5	70	10	40	30	15		B-20-2-20S	B-20-2-20S-A

I dati non sono impegnativi, **CBF** si riserva di apportare modifiche senza preavviso.
 The specifications are not binding, **CBF** reserves the right to introduce modifications without notice.